

PANELFA

Insulation Solutions

✓ B15 Cruiser



Ventilation Louver



Kick out Panel



Options

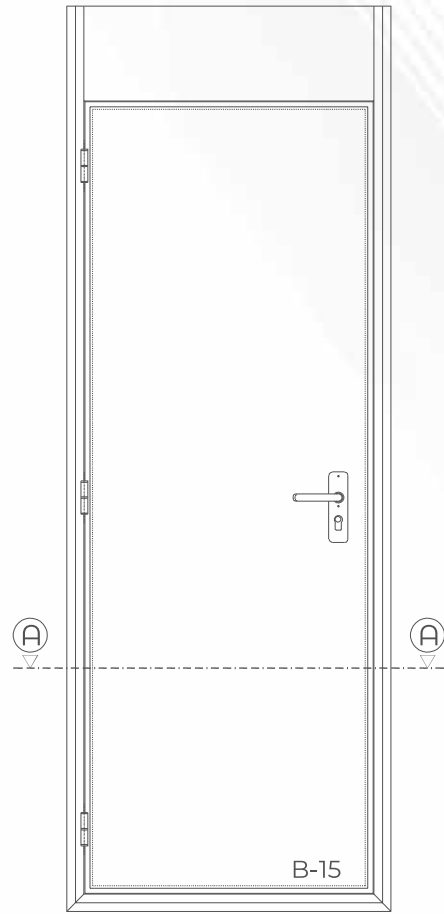
• Cruiser in top, bottom or both

Description	B15 CRUISER
Fire classification	B15
Max. Clear Opening (C.O.)	890 x 1975 mm
Thickness	35 mm
Weight (aprox.)	25 kg/m ²
Sound reduction	32 dB
Thermal conductivity	0,038 W/m ² K a 10°C
Internal core	mineral wool
External cover	0,7 mm steel sheets
Door frame	1,2 mm galv. Steel, RAL finish / St. Steel

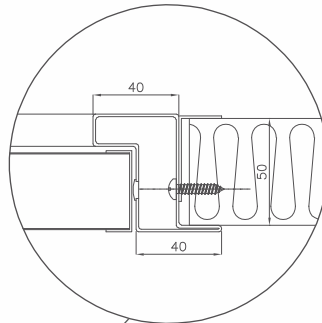


PANELFA

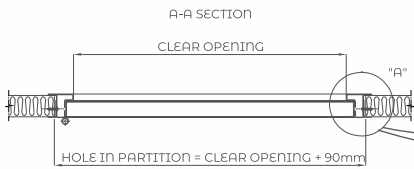
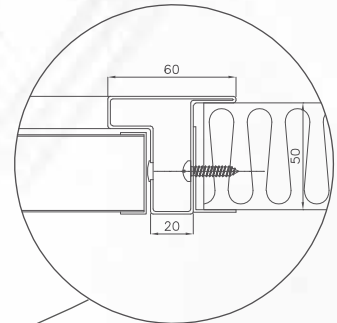
Insulation Solutions



"A" DETAIL "Z" FRAME

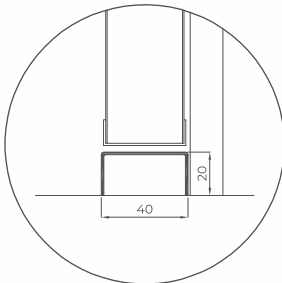


"A" DETAIL "T" FRAME

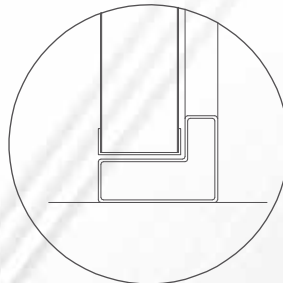


SILL OPTIONS

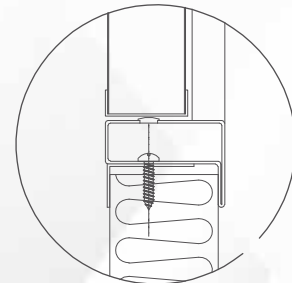
"U" SHAPE



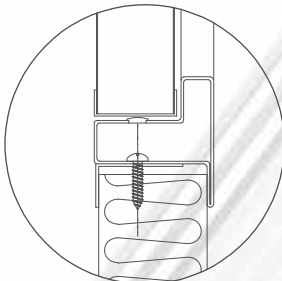
"L" SHAPE TO FLOOR



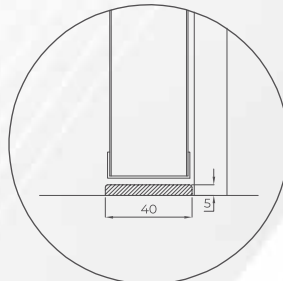
"L" SHAPE FOR COAMING



4 PARTS



FLAT BAR



NO SILL

